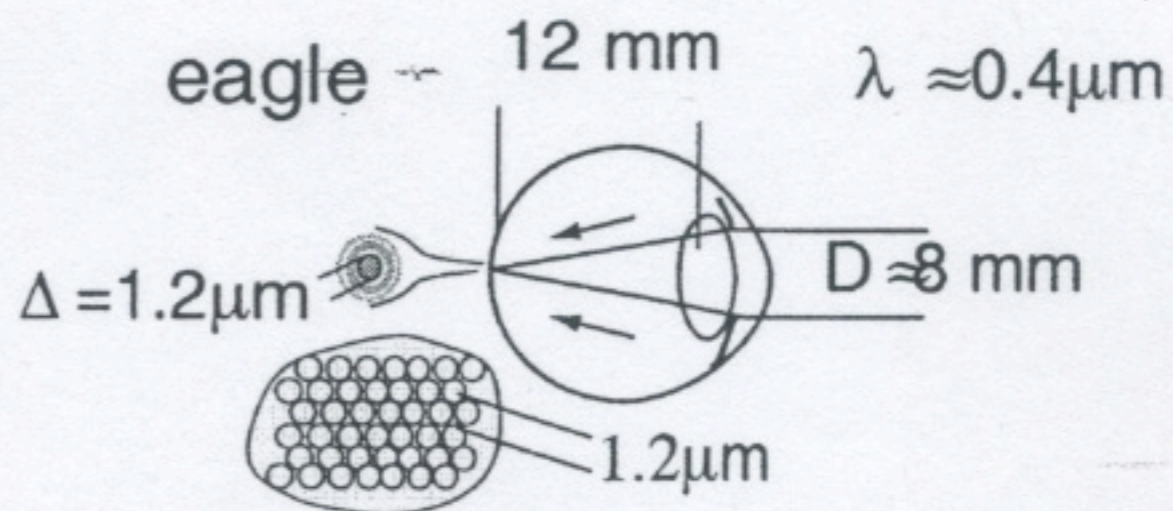
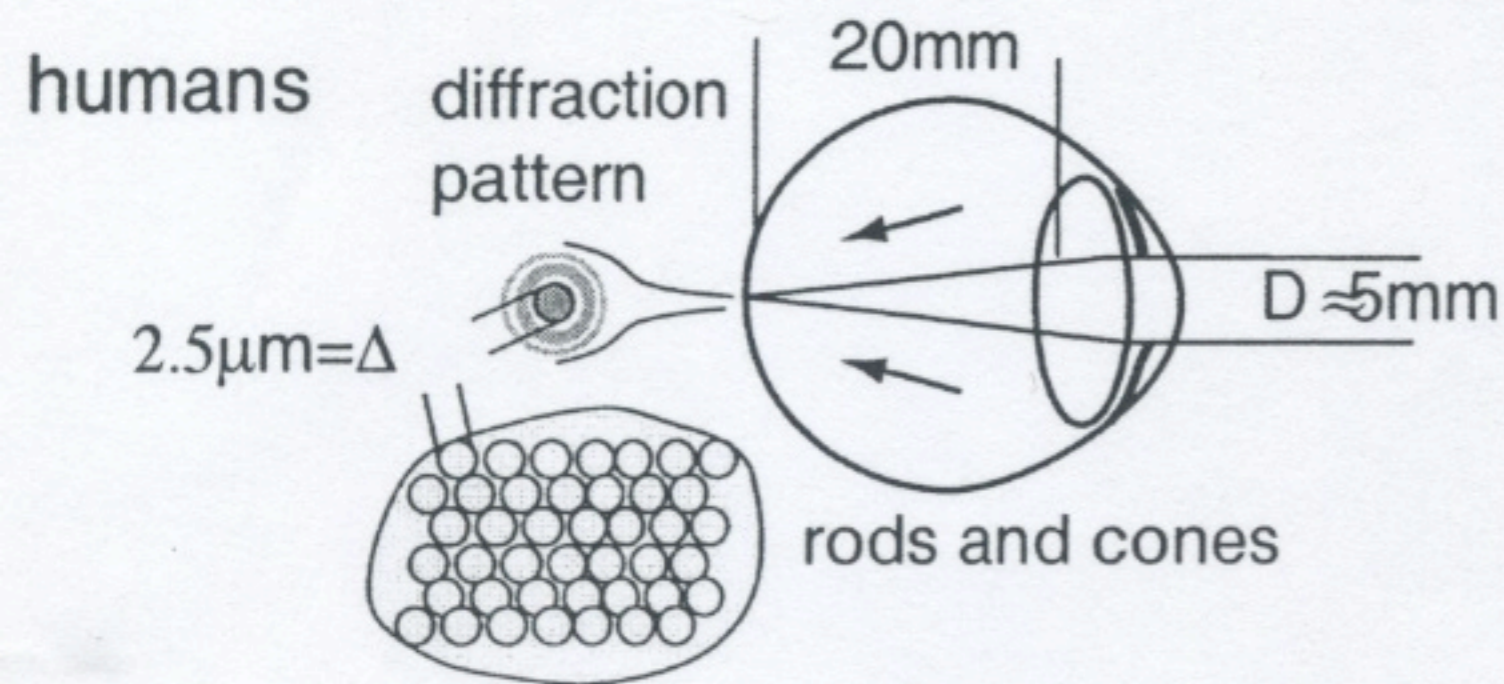


pigeon

bird of prey



1 pixel  
(human)

4x resolution

$$\Delta = \frac{2f \cdot \lambda}{D} = \frac{2 \cdot 12\text{mm} \cdot 4 \cdot 10^{-7}\text{m}}{8\text{mm}} = 1.2\mu\text{m}$$